



Collection: Sento

Technical Specifications

Body Material	VC- Vitreous China
Colour	
Design Shape	Round
Designer	VALUE: VitrA Design Team
Dimensions	54
Hole Detail	Without hole on the side
Installation Detail	Concealed Installation
Material	VALUE: Hygiene
Overflow Detail	With Overflow
Packaged Dimensions (W×D×H)	405 x 385 x 560
Series	Sento
Tap Hole Detail	Single Tap Hole

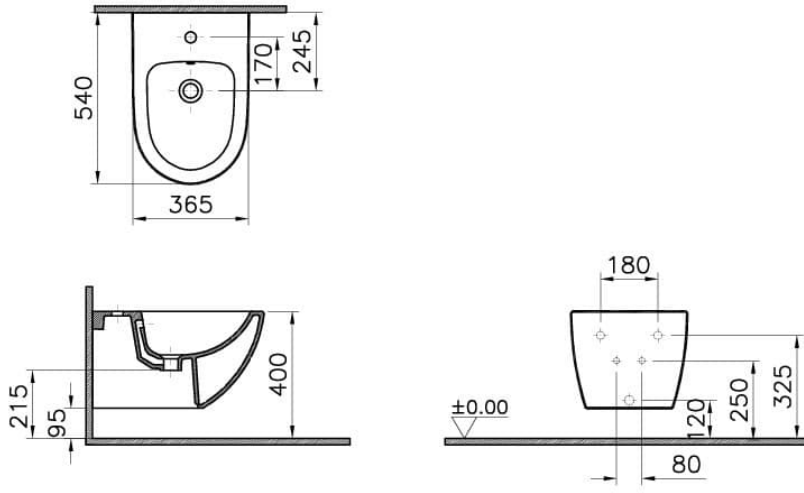
Toilet Height from Floor 400 mm

Warranty Period (Years) 10

Water Inlet Detail Back

Water Inlet Detail (WC/Bidet) Back

2A Technical Drawing



4338XXX-0288