

Collection: Universal

Technical Specifications

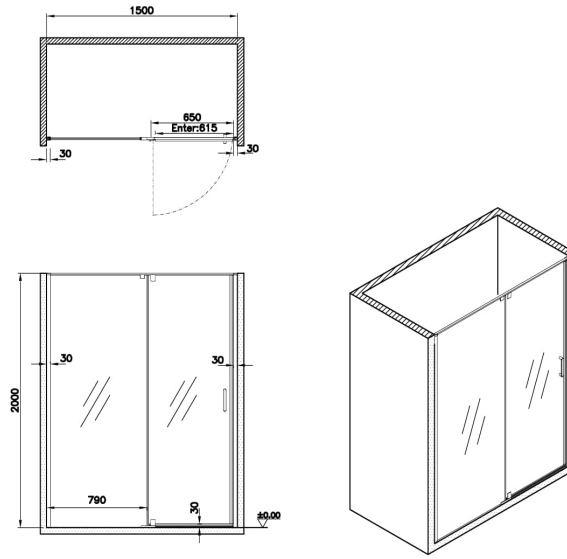
Body Material	Aluminum composite
Cabinet Glass Feature	Transparent- Protect Plus
Cabinet Glass Thickness	6
Cabinet Glass Type	ŞEFFAF
Colour	
Cuttable	3
Designer	VALUE: VitrA Design Team
Material	VALUE: -
Packaged Dimensions (W×D×H)	85 x 12 x 208
Series	Universal
Special Needs	Yes
Warranty Period (Years)	2

VitrA

Open Hinge Front Panel : 150 cm + Protect Plus Glass
(Shiny Silver Frame)

Product Code: 65650002423

2A Technical Drawing



VitrA Global
vitra@eczacibasi.com.tr

<https://www.vitrglobal.com/> - <https://www.instagram.com/vitrabathrooms/>